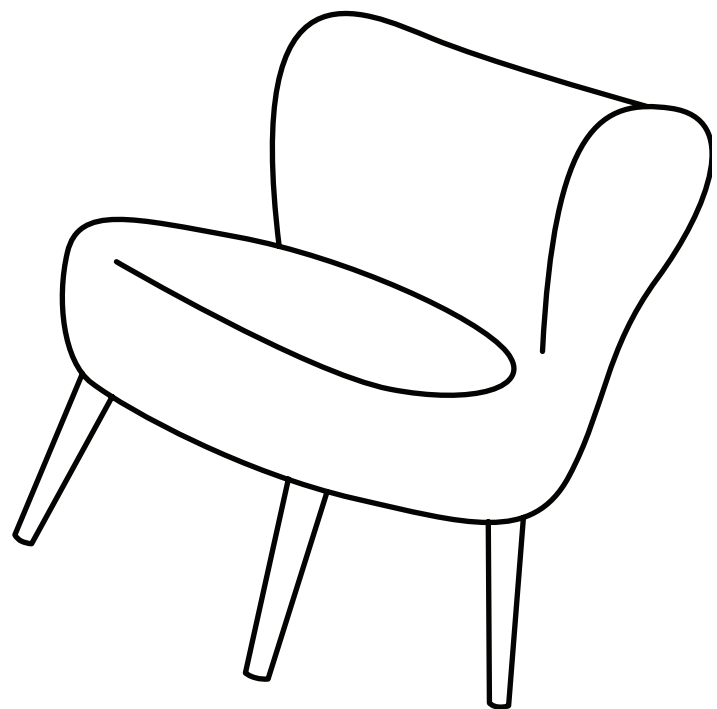
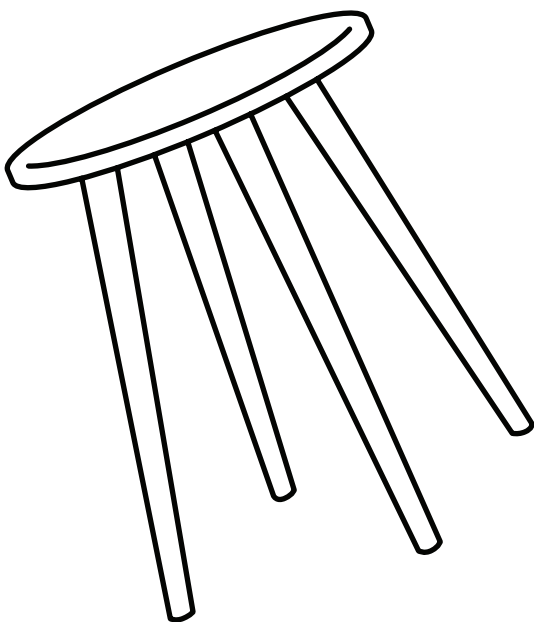


Hello, I've arrived!

Now that I'm here you are only one flat-pack away from transforming your home.



Mocka.

Thank you for supporting us.

We believe design belongs to everyone. From materials and processes to safety testing, production and delivery, we are passionate and committed to bringing you the best possible product so you can create beautifully functional spaces to feel comfortably you.

Here are a few assembly tips before you get started:



Make Time

The first step to all seamless assembly is taking a moment to carefully read through the instructions—you are already on your way to creating a beautifully functional space!



Set The Mood

Put on your favourite playlist, order that pizza and pour yourself a drink to get in the mood!



Tool Check

Layout the instructions, screws and panels to check you have everything you need. A blanket or soft floor rug will help protect your new favourite item from scratches and a drill will speed up the assembly too!



Room Reveal

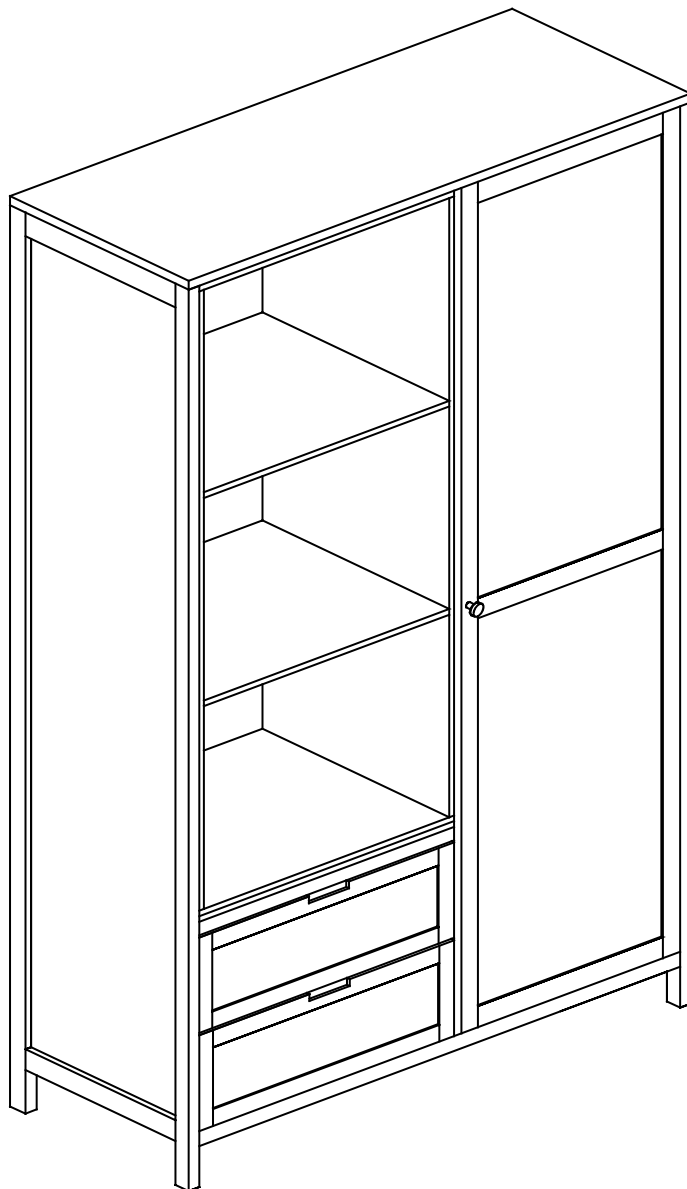
You did it! Take a step back and enjoy the moment. Don't forget to recycle any packaging and share a pic of your room reveal—we love seeing how you transform your home! **Tag us @mockaaustralia/@mockaanz**

Happy flat-packing!

The Mokka Team

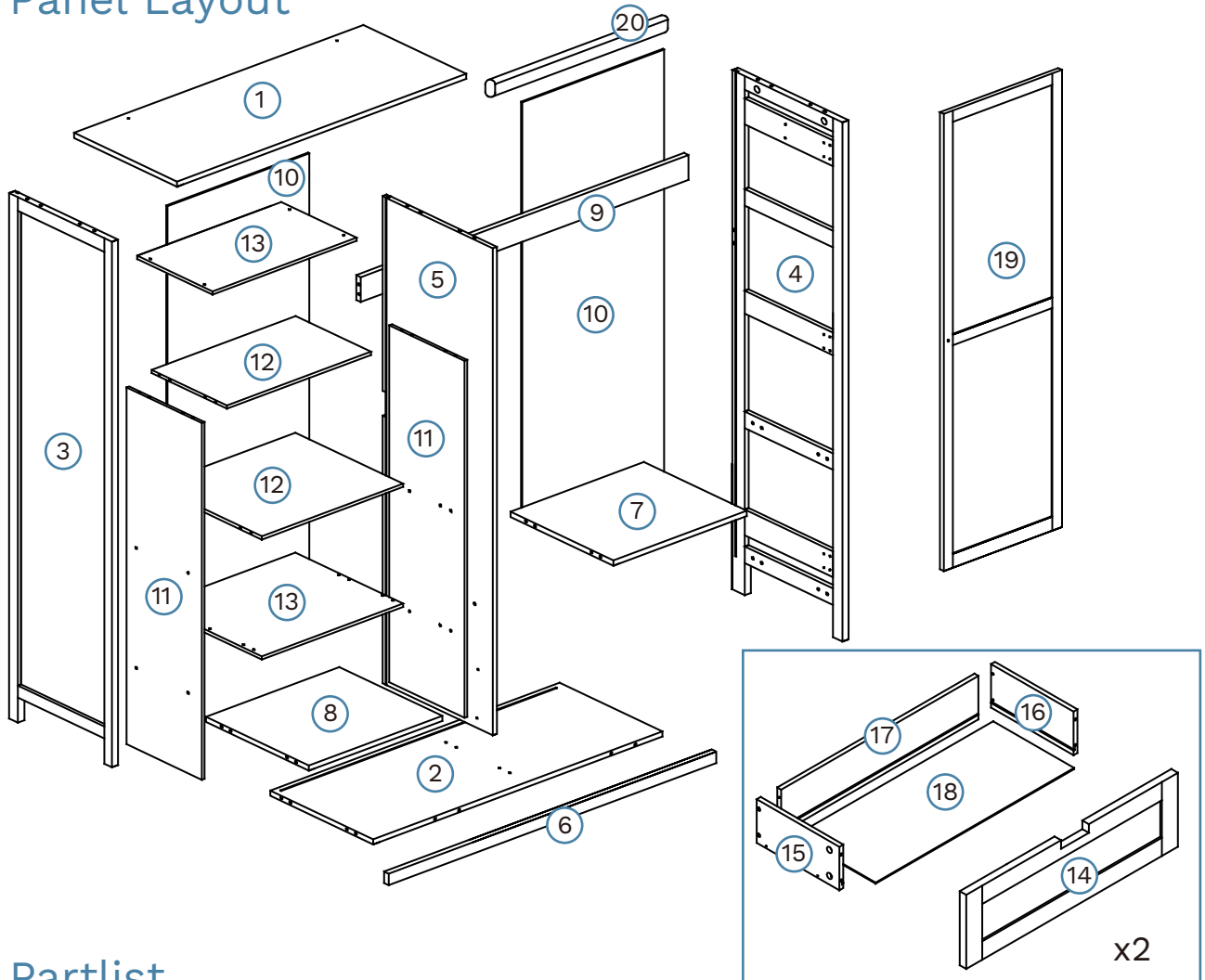
Newport Wardrobe

Thank you for your purchase. Please follow the instructions for correct assembly. While we took great effort to ensure these assembly instructions were correct at the time of printing, sometimes updates are required post production. For the most up to date versions please refer to the product page on our website. mocka.com.au/mocka.co.nz



Newport Wardrobe

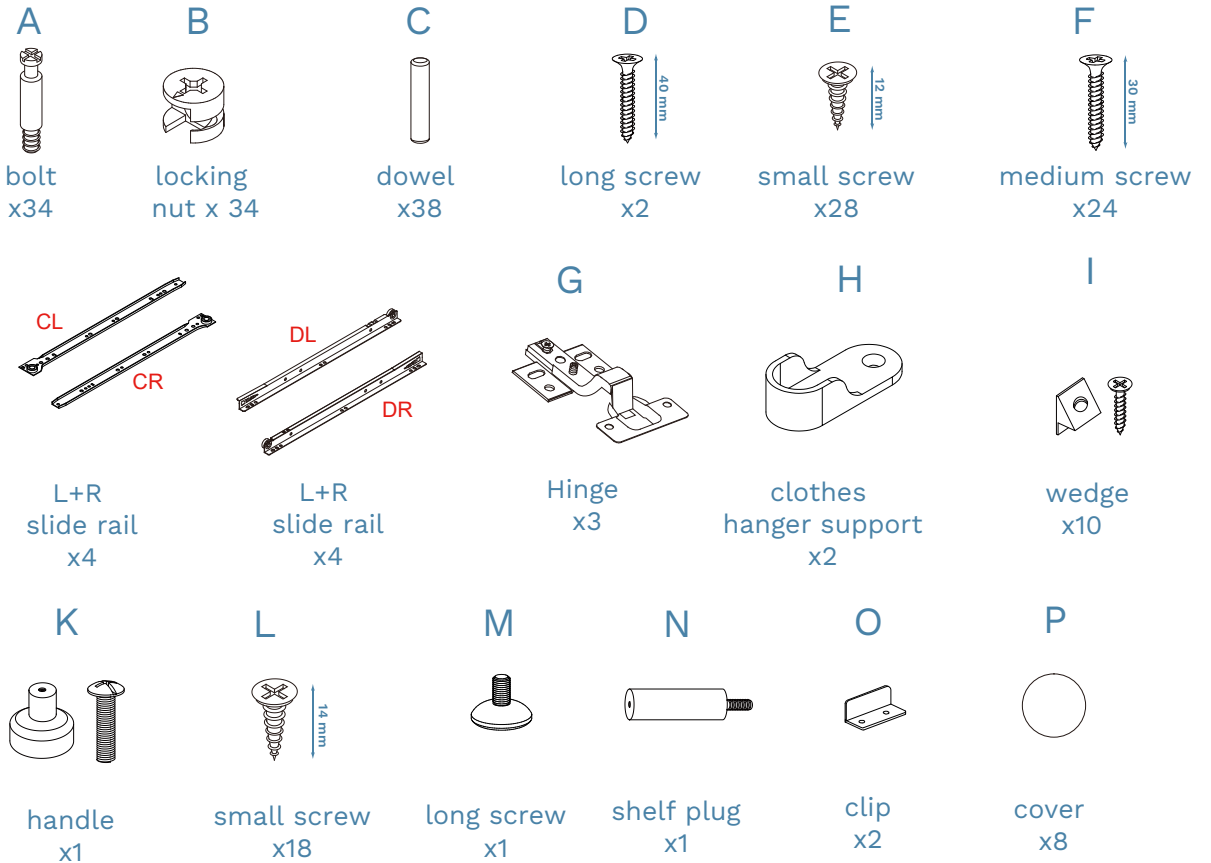
Panel Layout



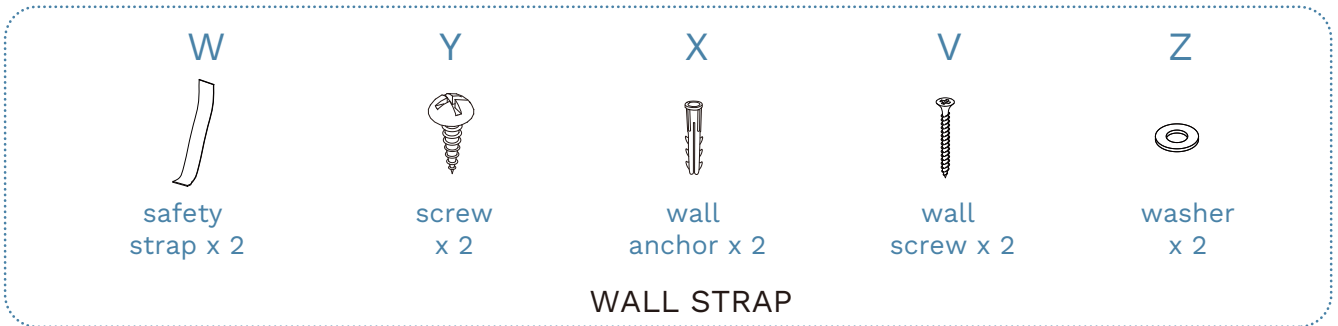
Partlist

①	Top Panel	x1	⑪	Side Panel	x2
②	Bottom Panel	x1	⑫	Shelf Panel	x2
③	left Side Panel	x1	⑬	Top and Bottom Panel	x2
④	Right Side Panel	x1	⑭	Drawer Front	x2
⑤	Central Panel	x1	⑮	Left Drawer Side	x2
⑥	Slats	x1	⑯	Right Drawer Side	x2
⑦	Shelf Panel	x1	⑰	Drawer Back Panel	x2
⑧	Shelf Panel	x1	⑱	Drawer Base	x2
⑨	Back Slats	x1	⑲	Door	x1
⑩	Back Panel	x2	⑳	Hanging Rod	x1

Newport Wardrobe

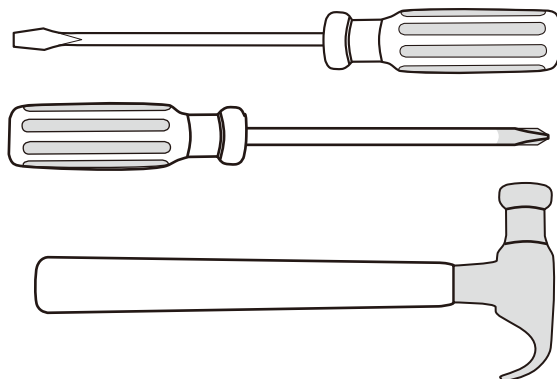


HARDWARE SUPPLIED



WALL STRAP

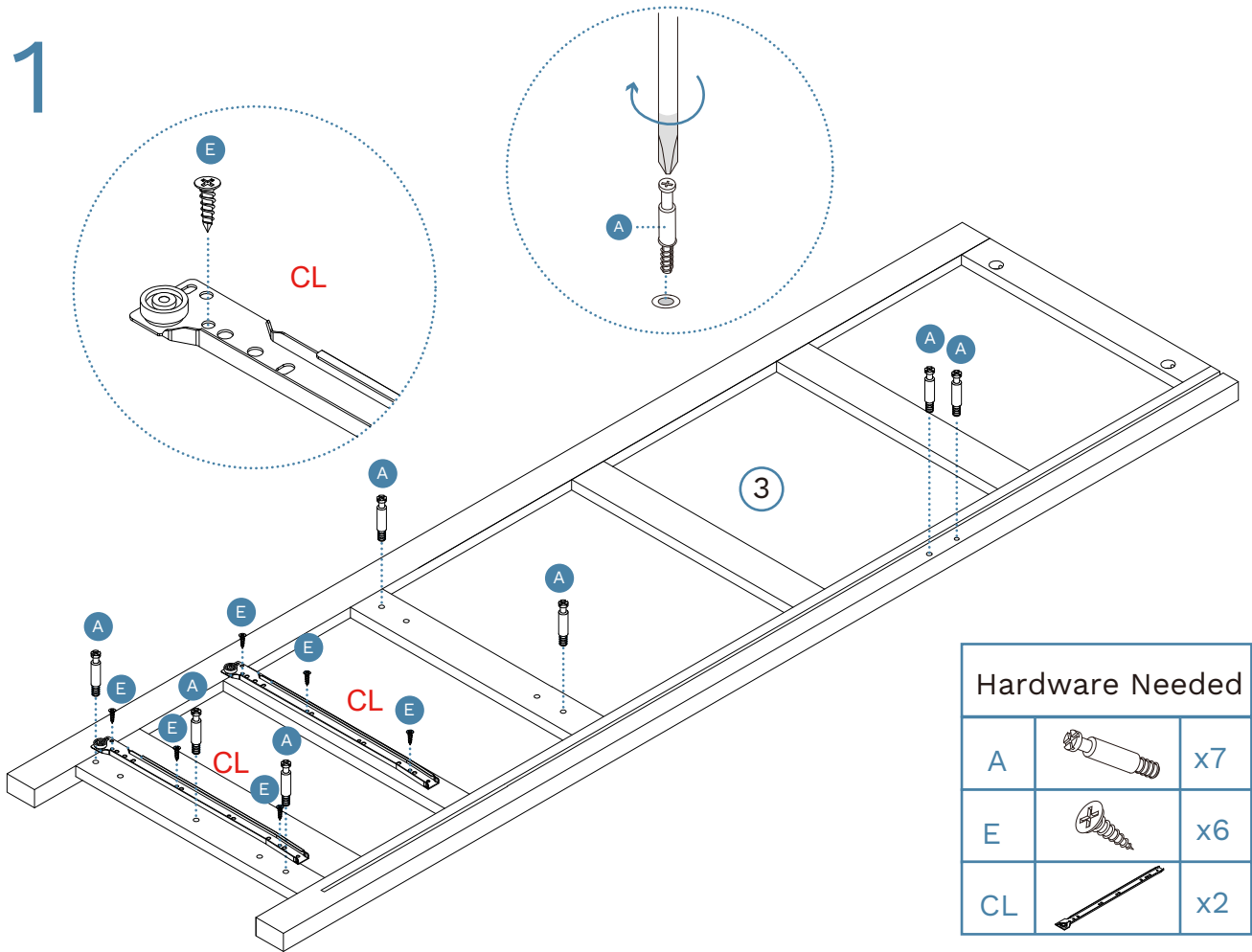
WARNING: Any furniture that is not anchored to a wall has the potential to tip over in certain circumstances, i.e. if a child attempts to climb up on the furniture or in the event of an earthquake. Accordingly, we recommend that all furniture is anchored to a wall. We supply a free safety wall anchor with all furniture sold and we recommend these are used to prevent your product tipping. The fixing device provided should fit most wall types, but please note that different wall materials may require different fixing devices from those supplied.



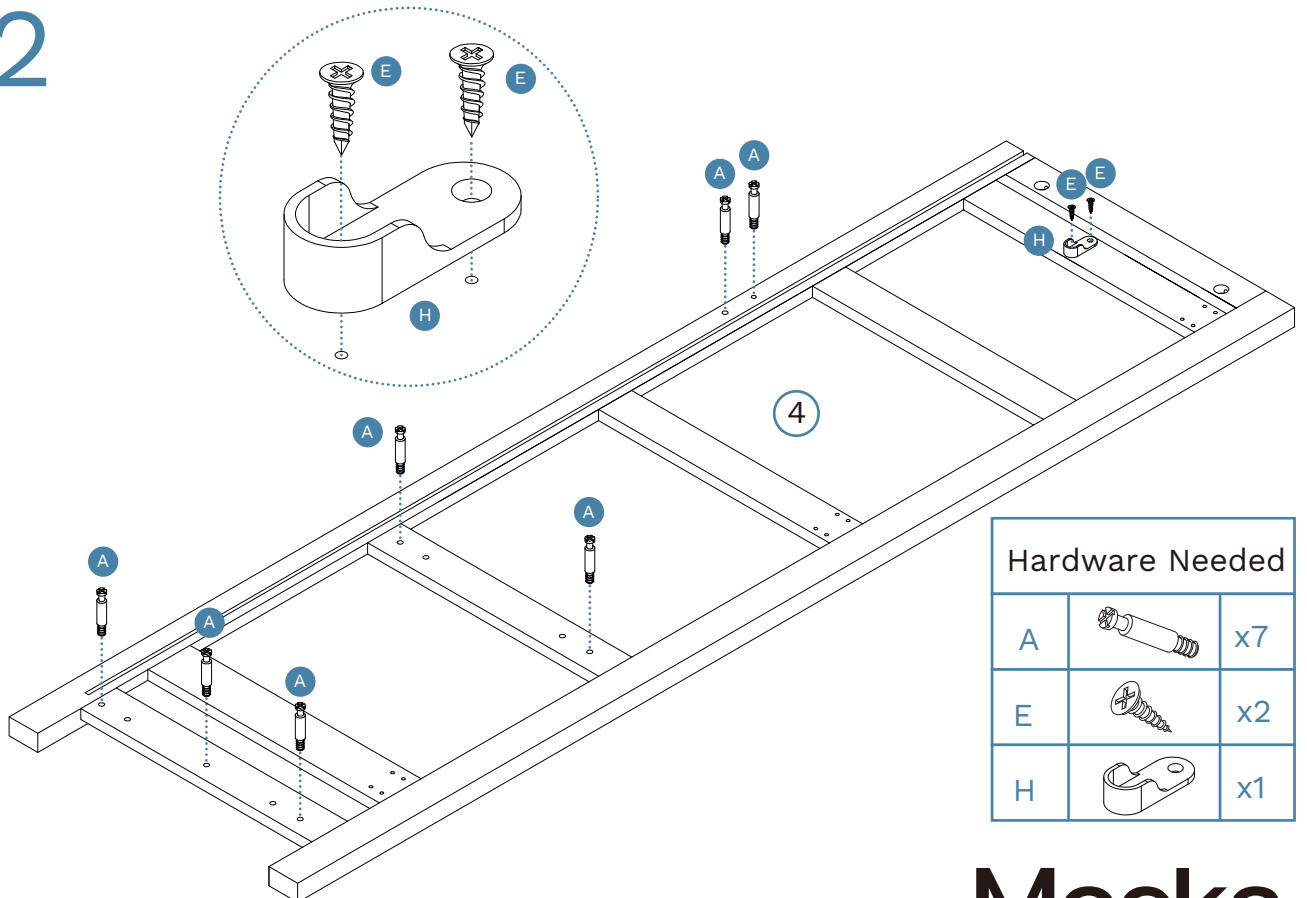
Phillips & Flathead screwdrivers and hammer required
For quicker assembly, we recommend the use of a power drill on a low-speed setting.

Newport Wardrobe

1

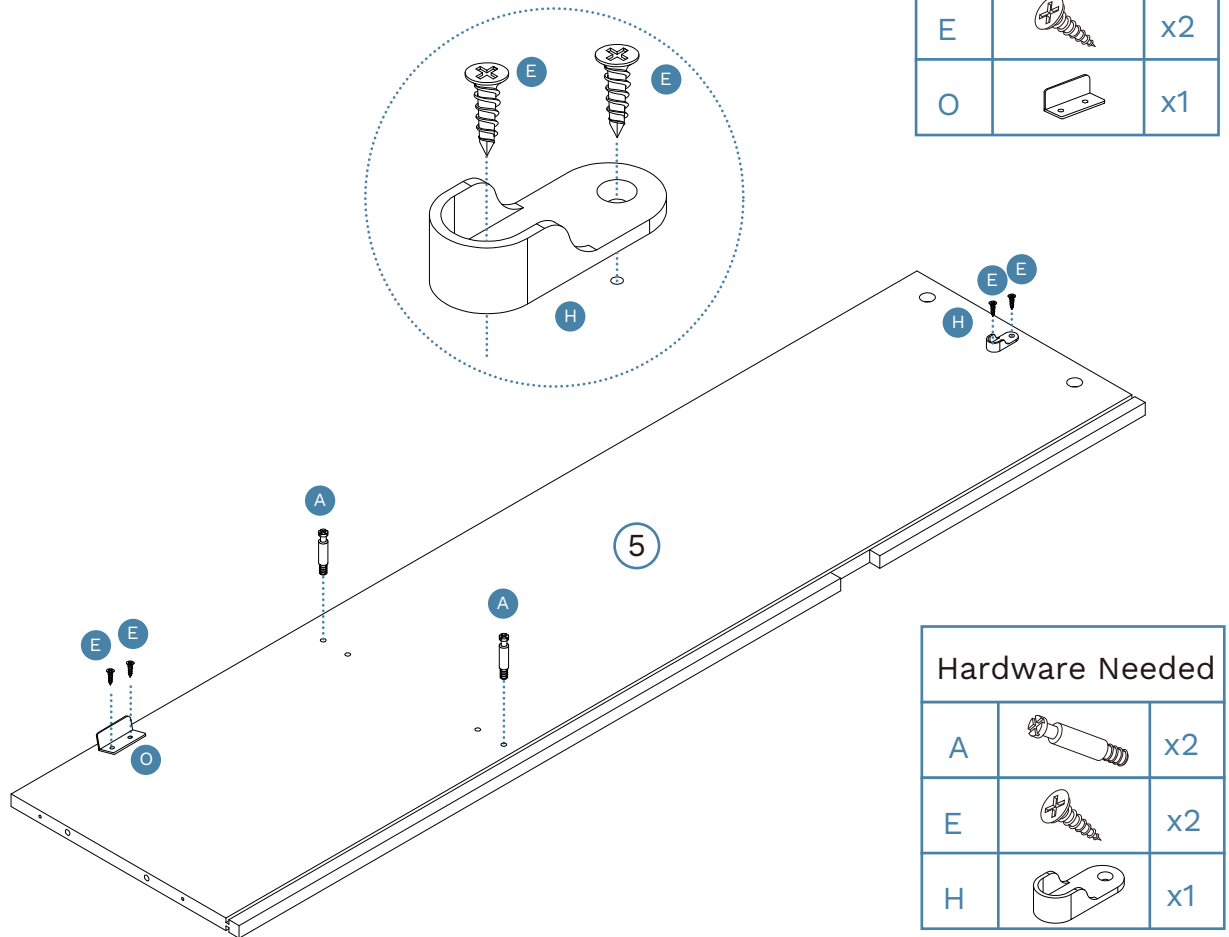


2

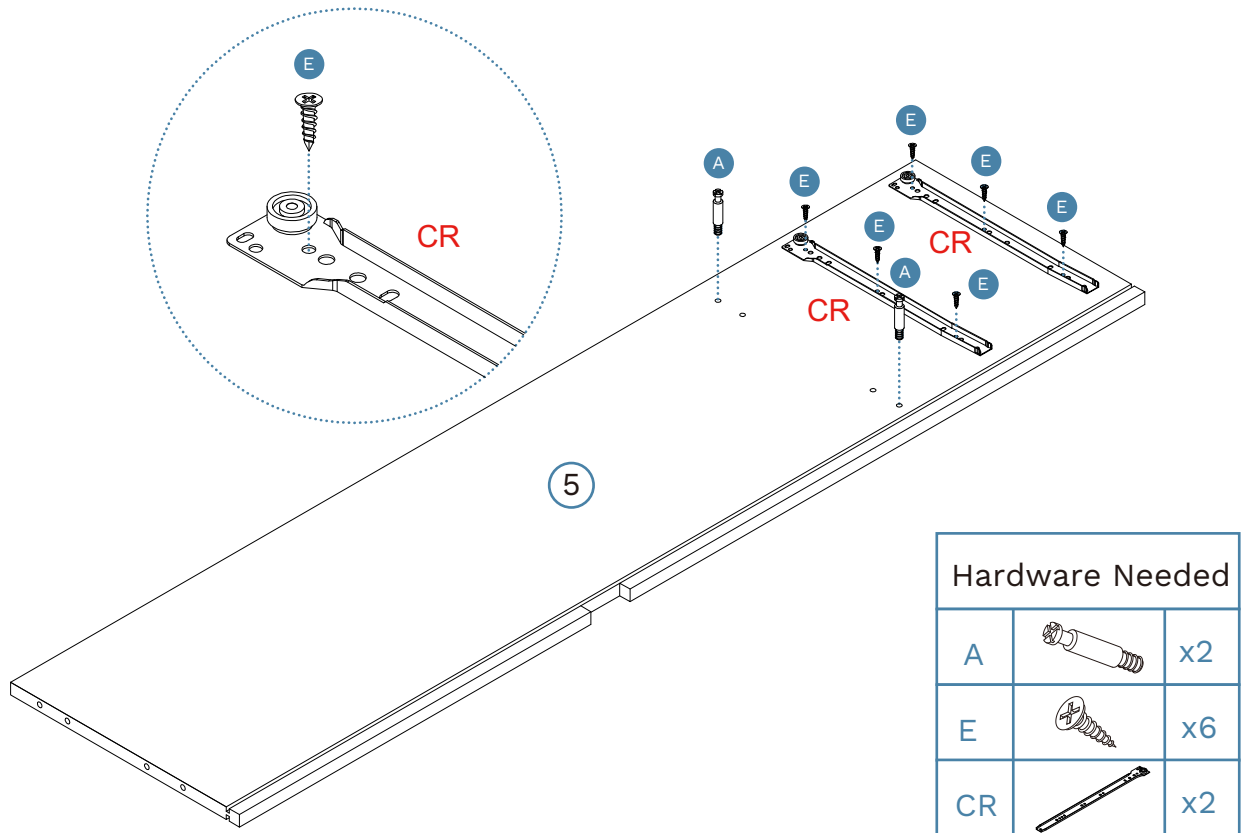


Newport Wardrobe

3

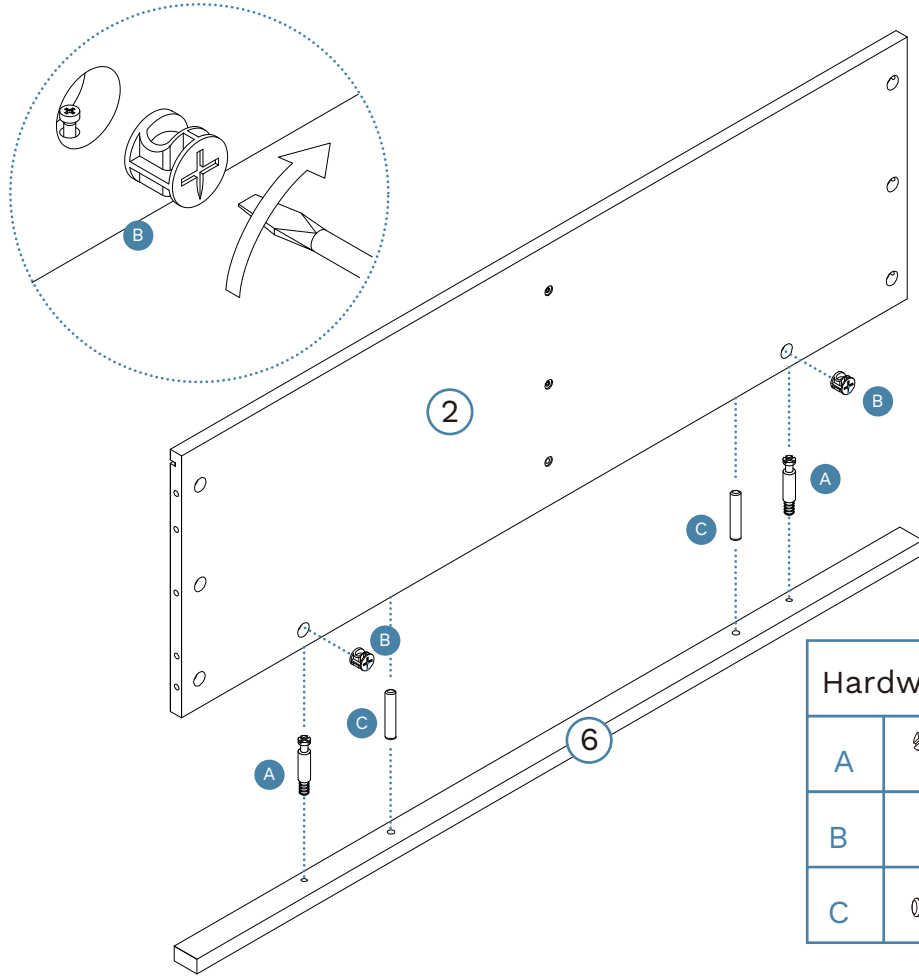


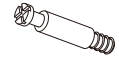

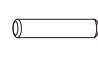
4



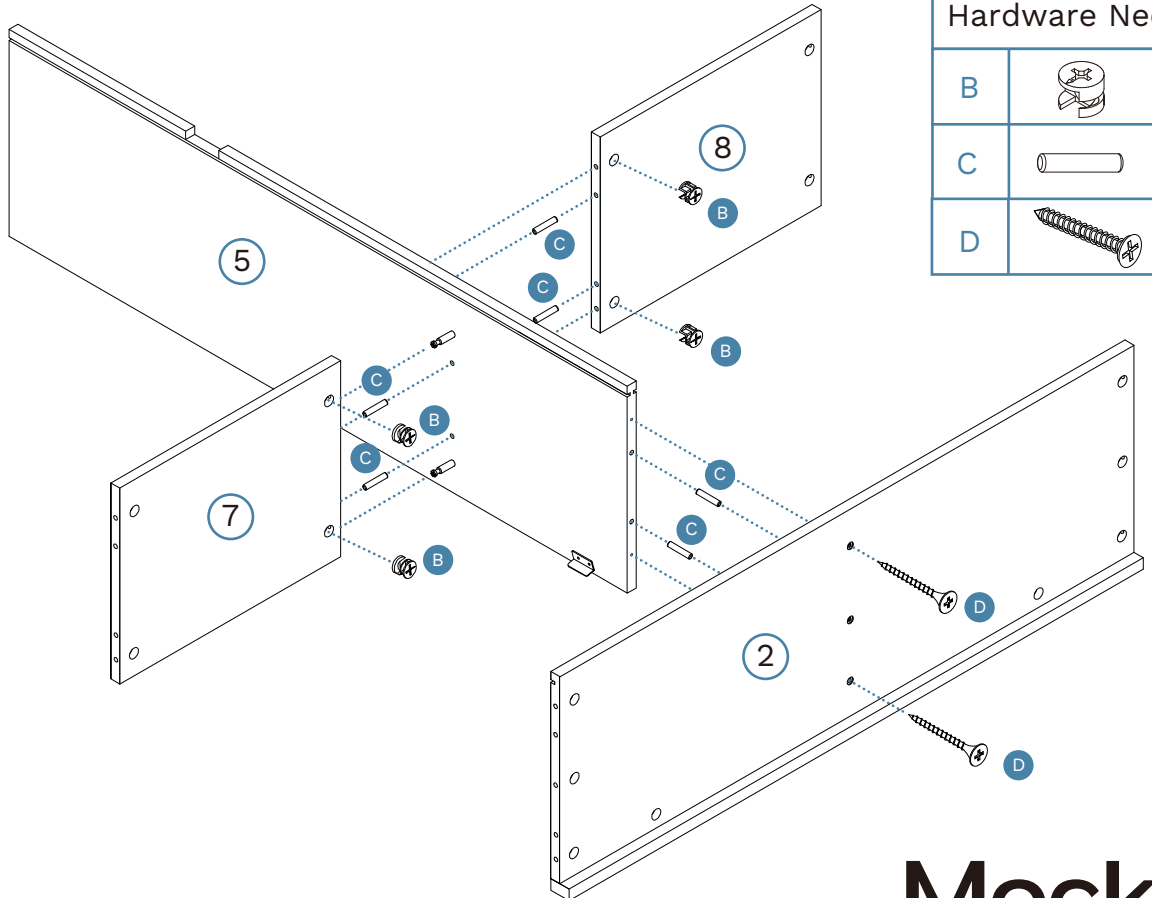
Newport Wardrobe


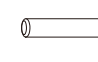

5



Hardware Needed		
A		x2
B		x2
C		x2

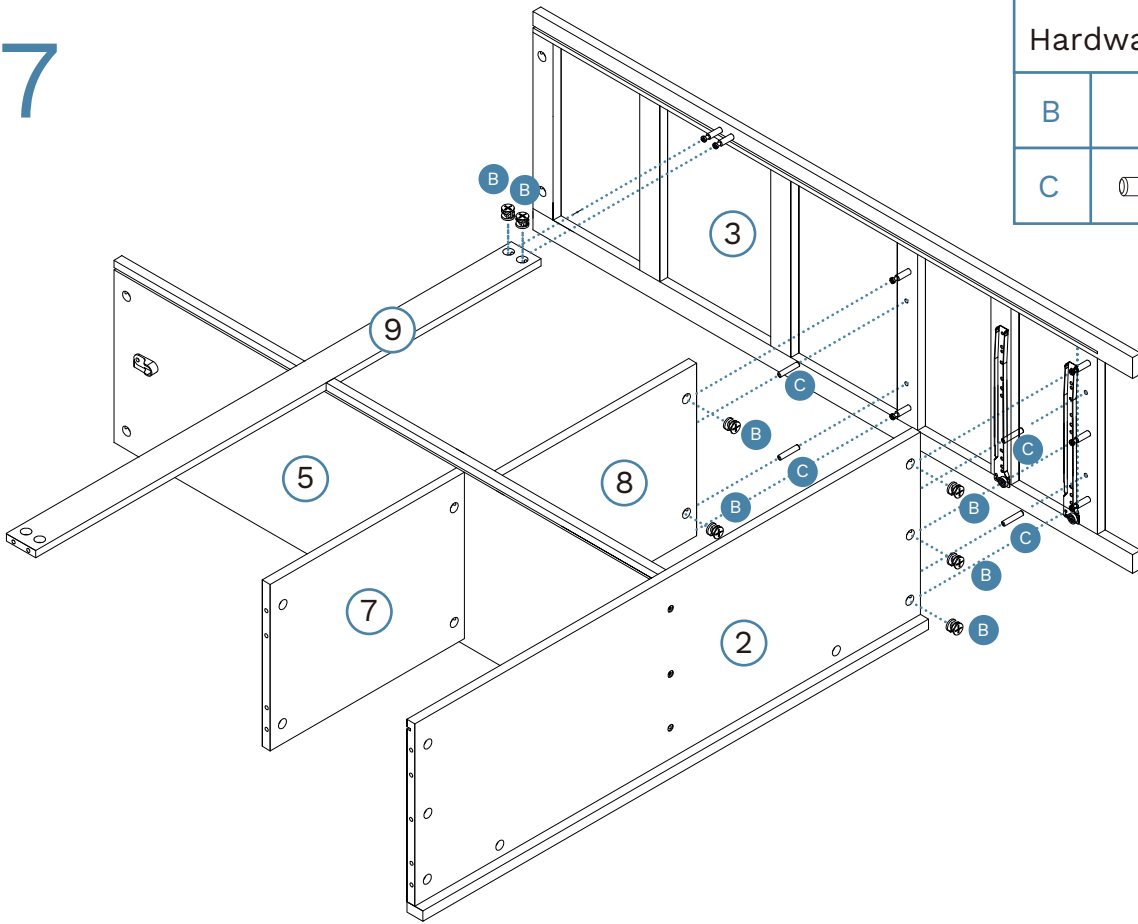
6



Hardware Needed		
B		x4
C		x6
D		x2

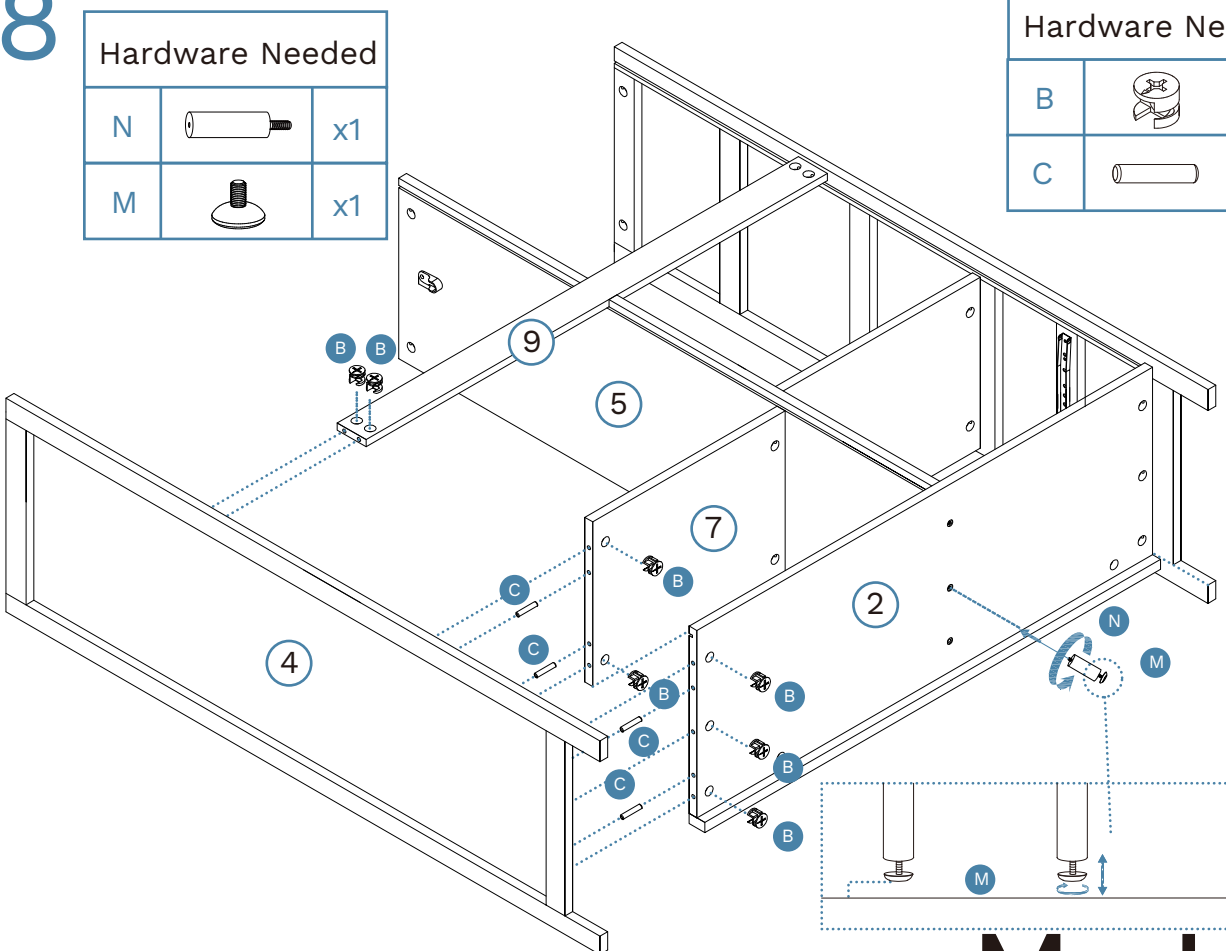
Newport Wardrobe

7



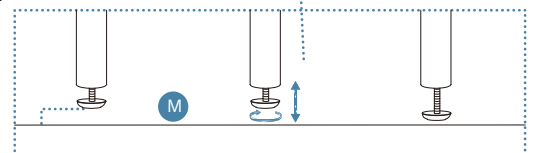
Hardware Needed		
B		x7
C		x4

8



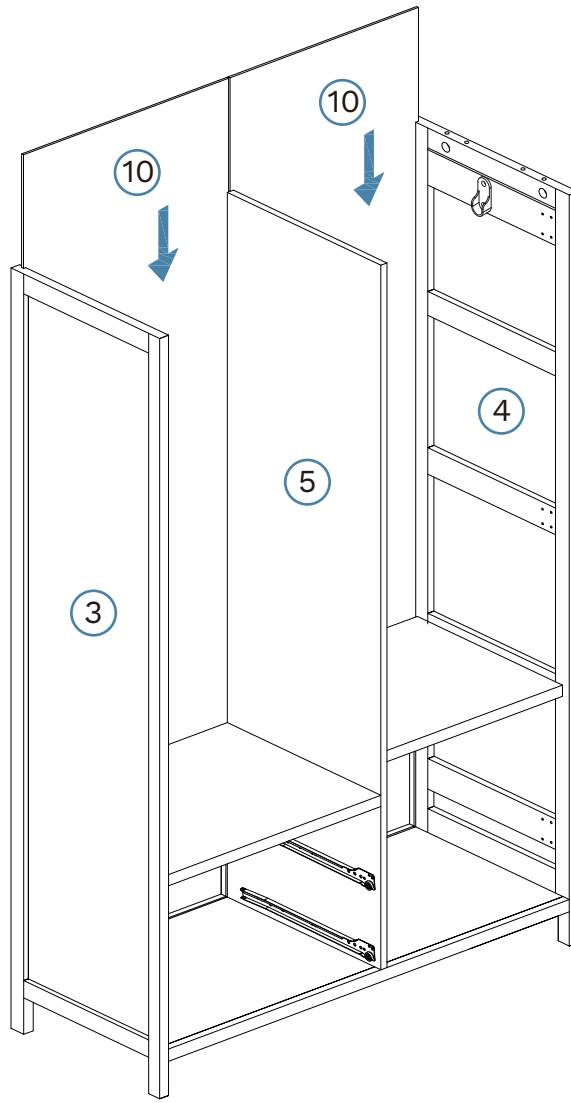
Hardware Needed		
N		x1
M		x1

Hardware Needed		
B		x7
C		x4

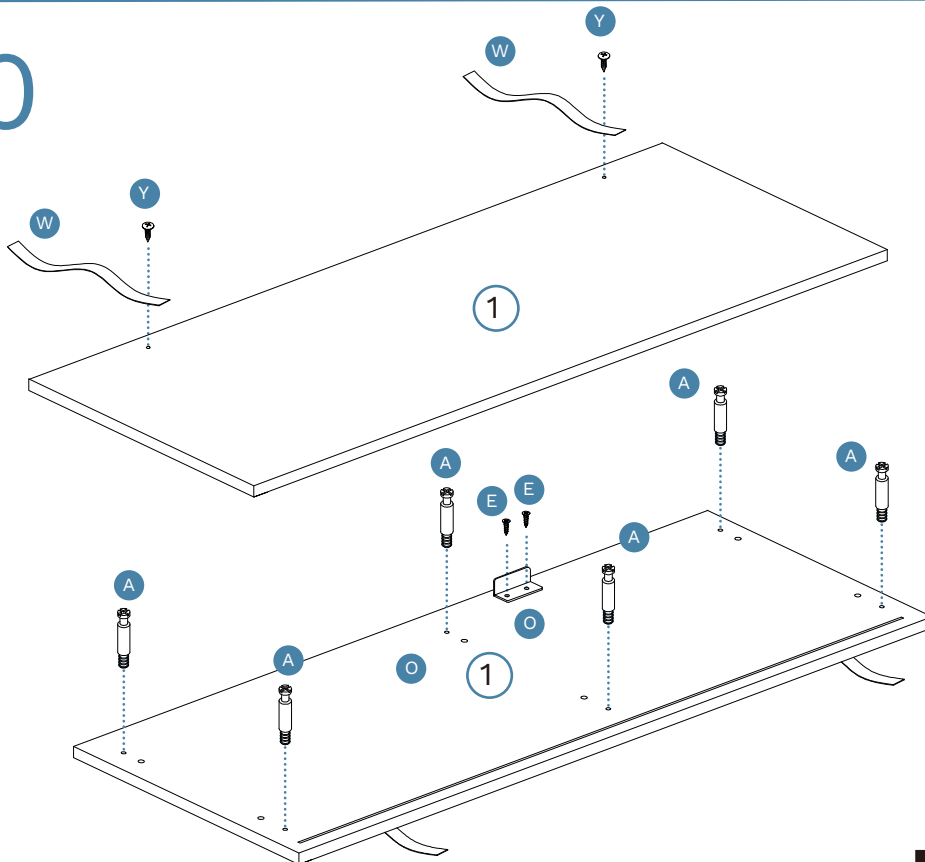


Newport Wardrobe

9




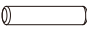
10

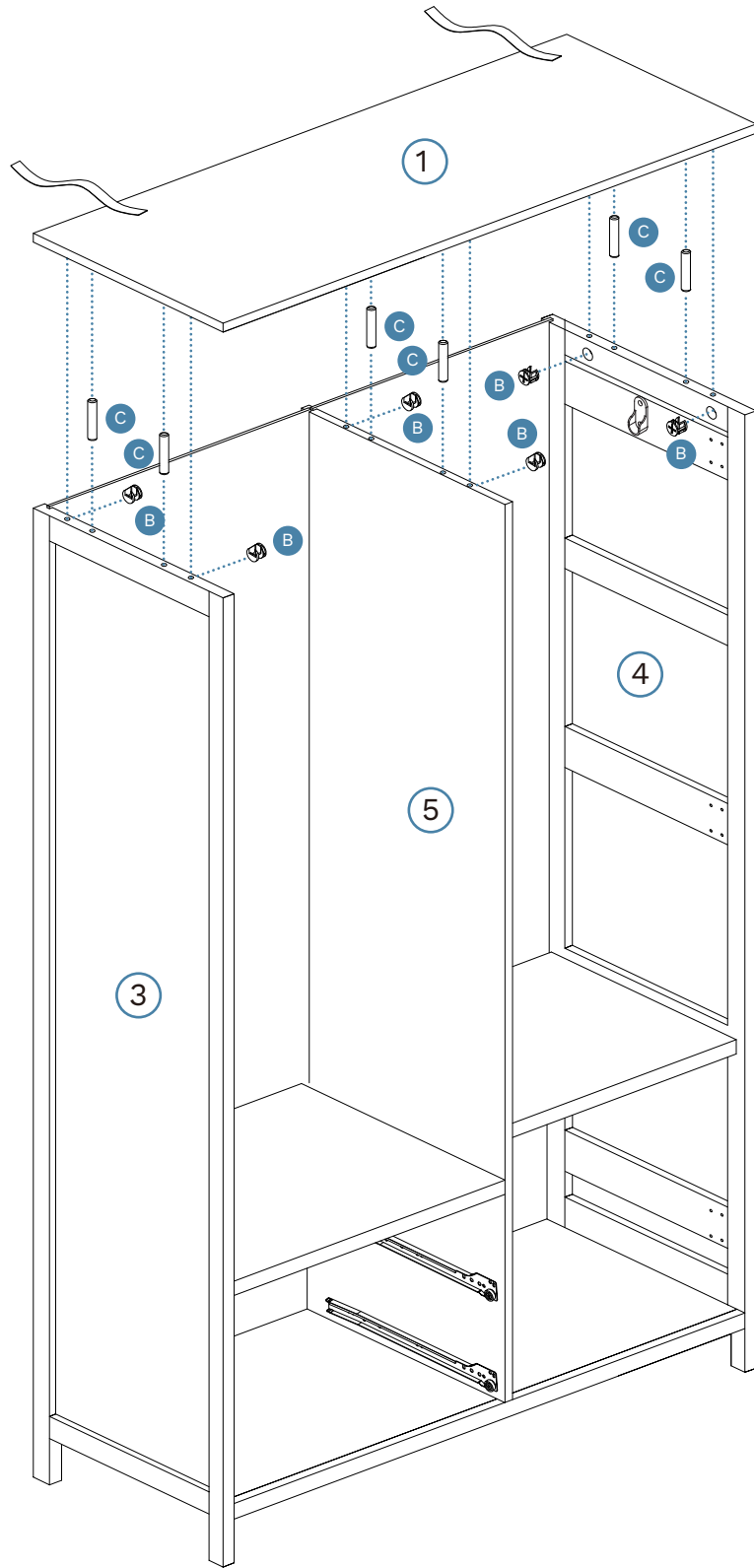


Hardware Needed		
A		x6
Y		x2
W		x2
E		x2
O		x1

Newport Wardrobe

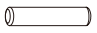

11

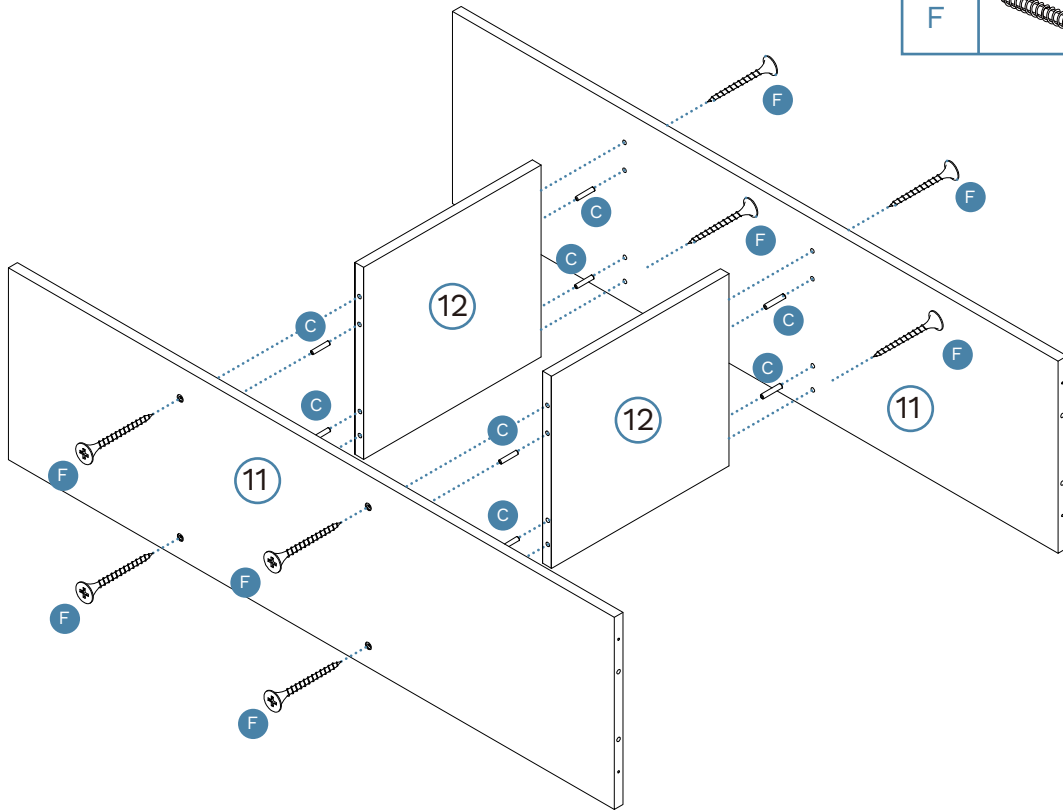
Hardware Needed		
B		x6
C		x6



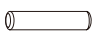

Newport Wardrobe

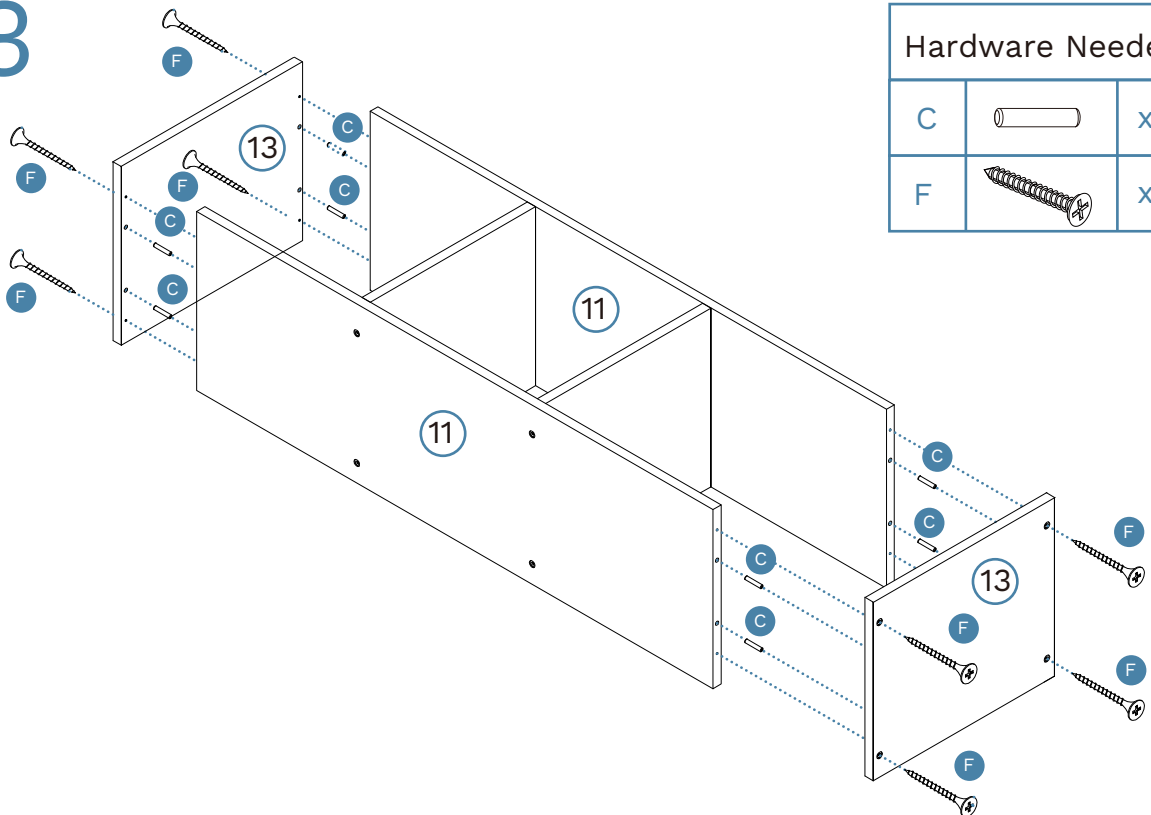
12

Hardware Needed		
C		x8
F		x8



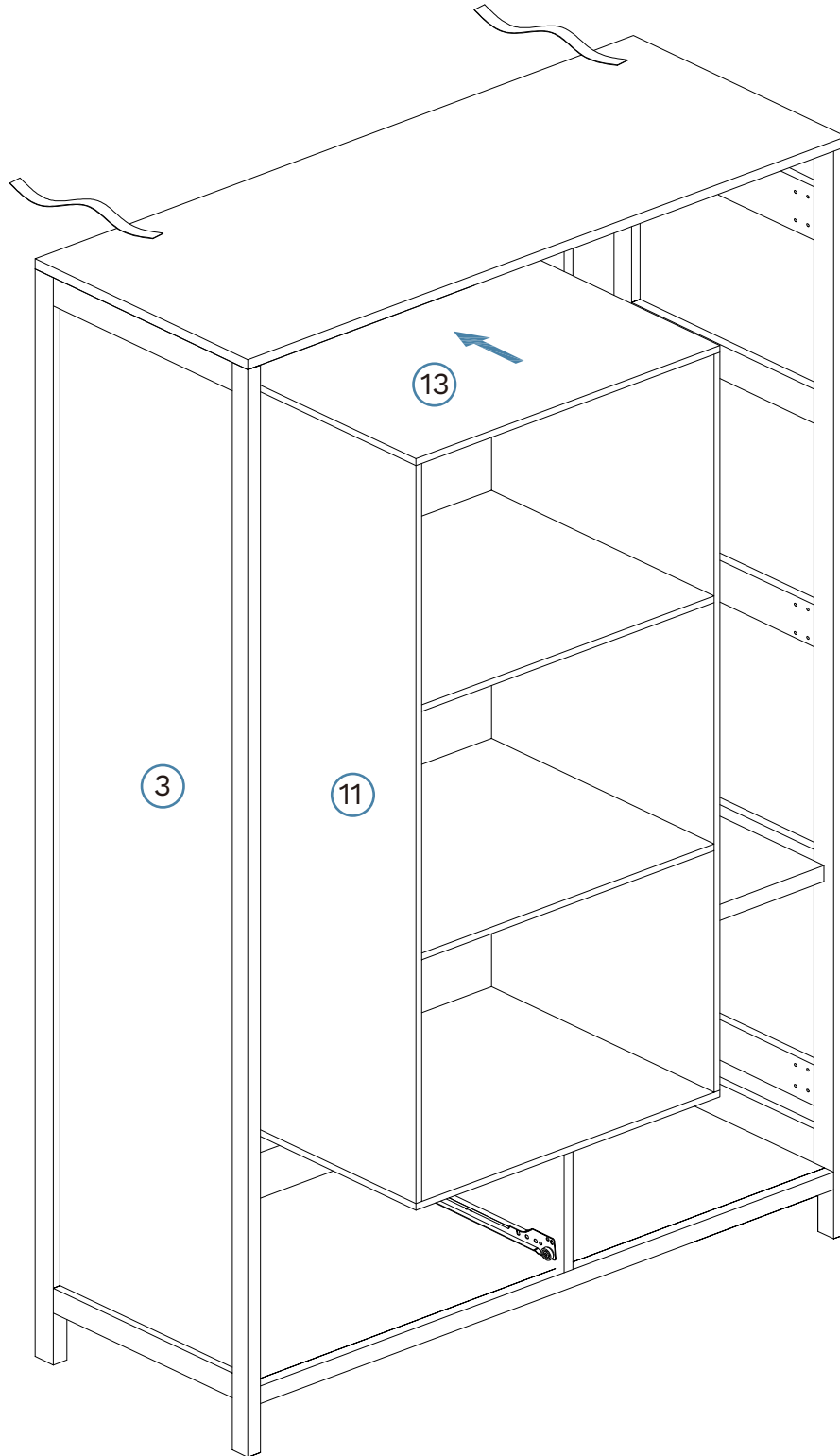
13

Hardware Needed		
C		x8
F		x8



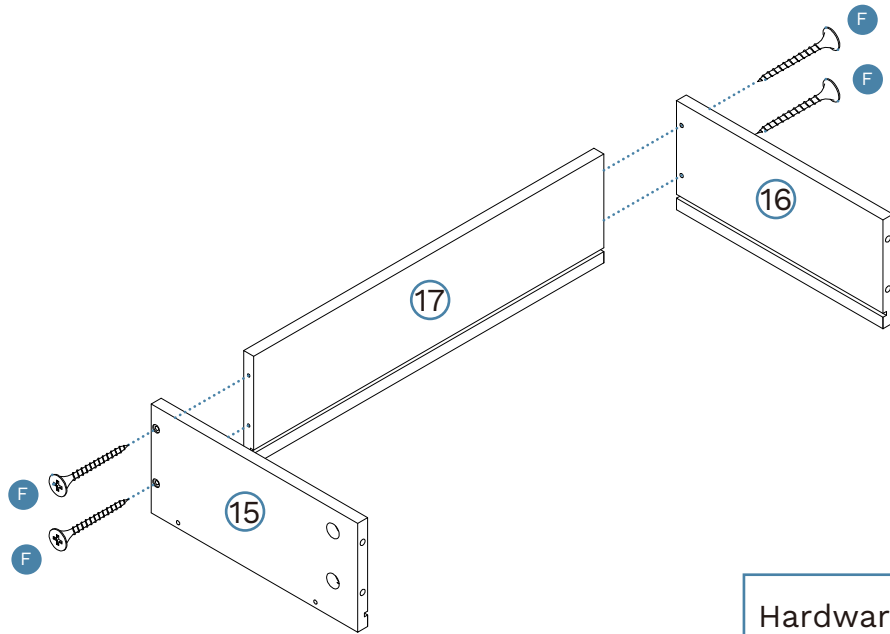
Newport Wardrobe


14



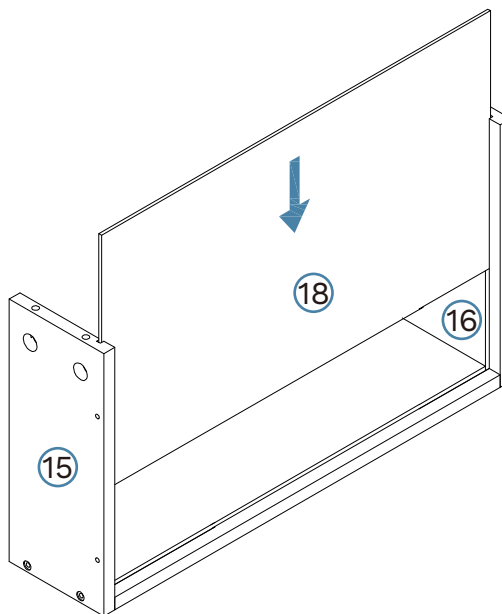
Newport Wardrobe

15 Drawers x 2



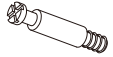
Hardware Needed		
F		x8

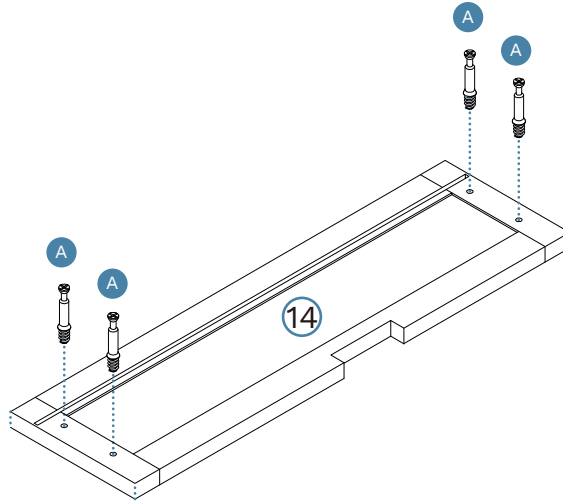
16 Drawers x 2





Newport Wardrobe

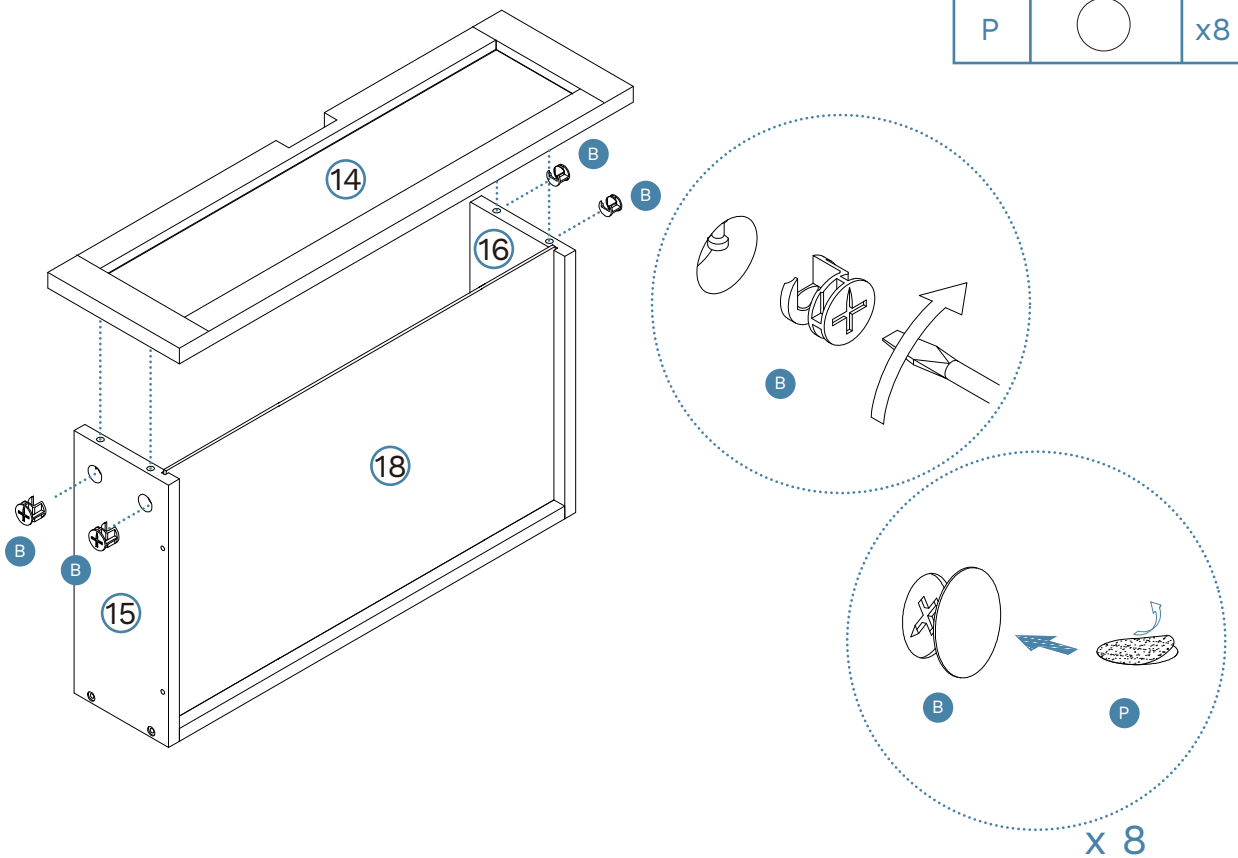
17 Drawers x 2

Hardware Needed		
A		x8



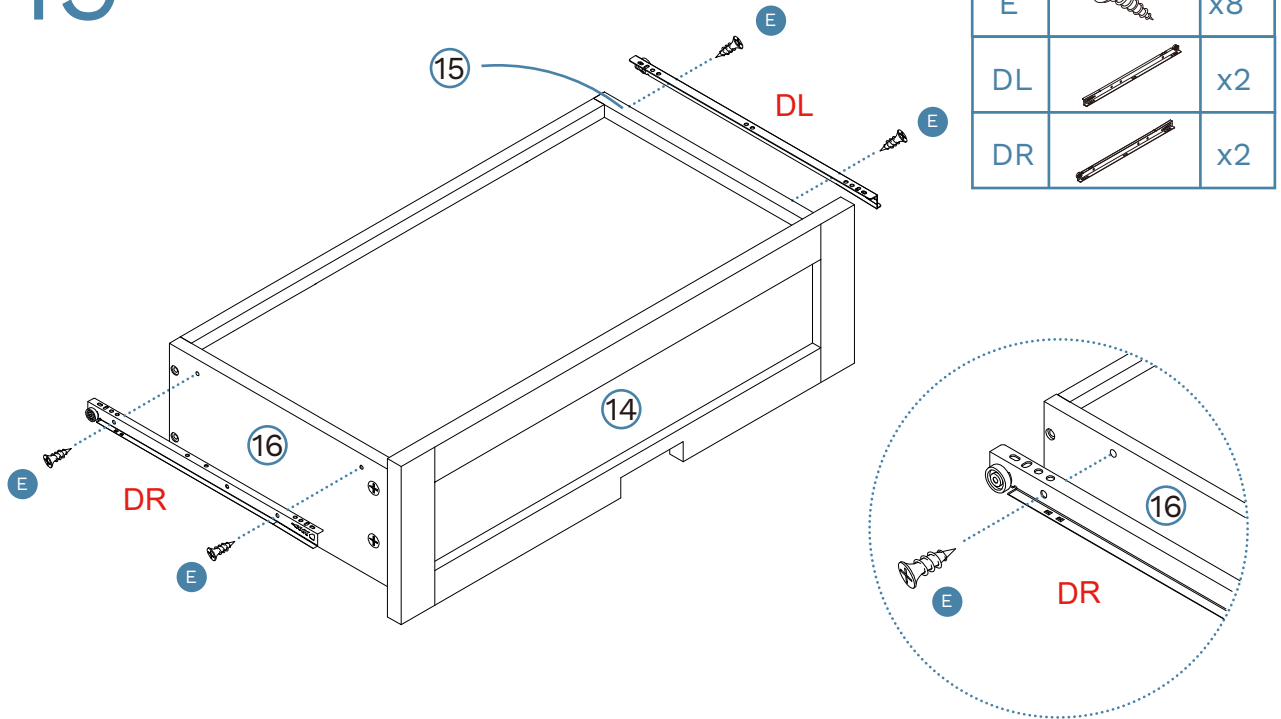
18 Drawers x 2




Hardware Needed		
B		x8
P		x8



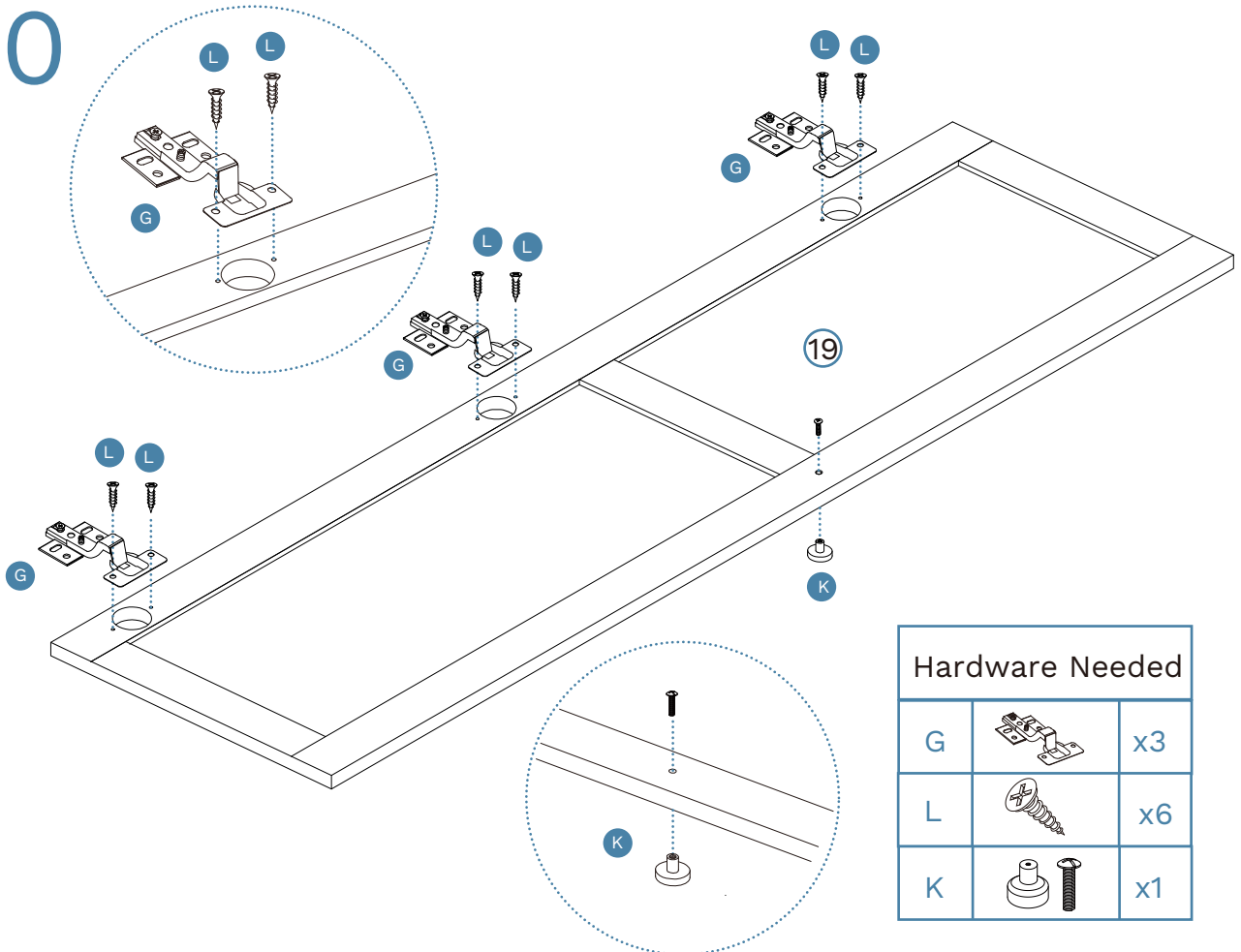
Newport Wardrobe

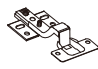

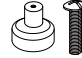
19 Drawers x 2



Hardware Needed		
E		x8
DL		x2
DR		x2

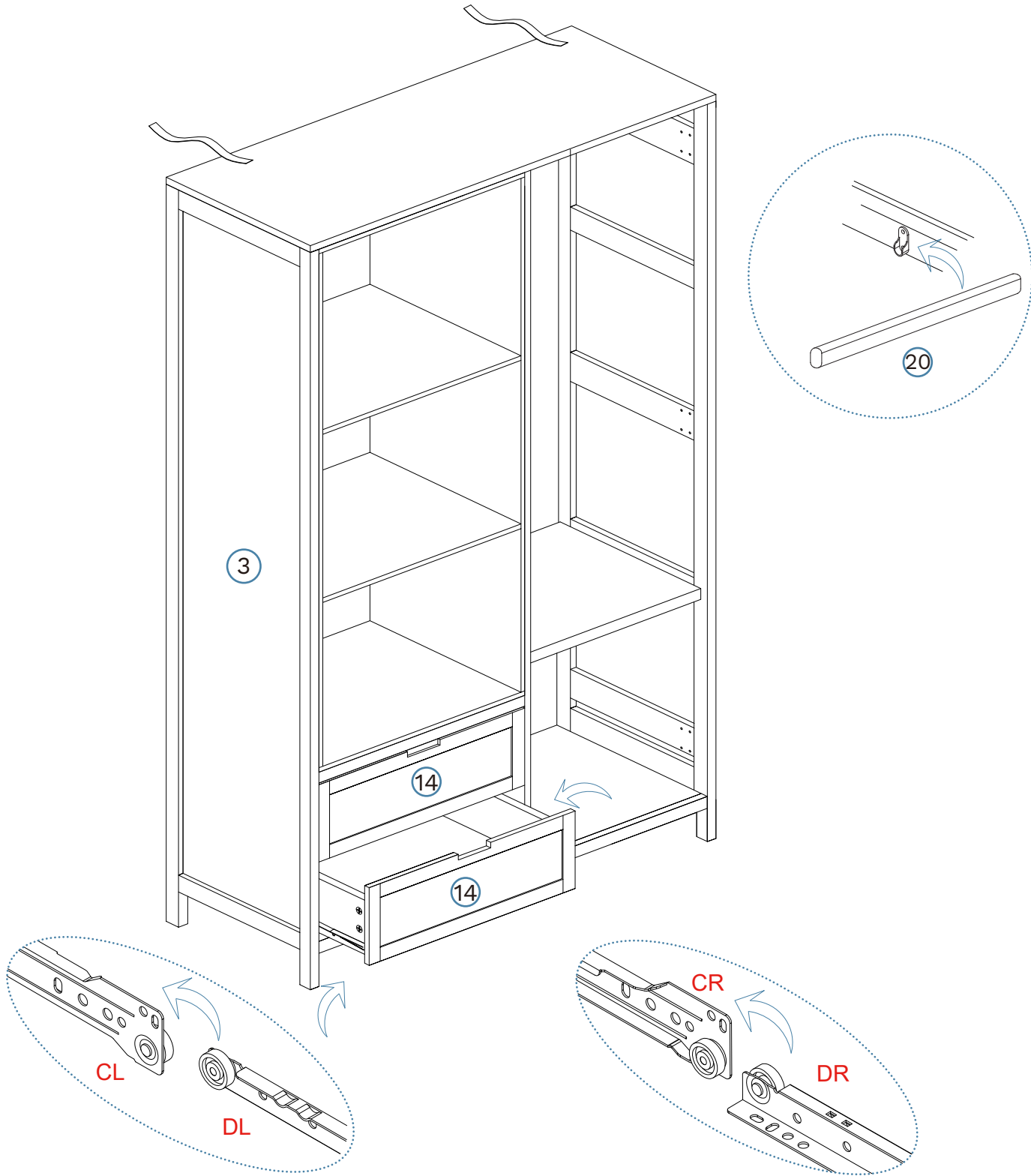
20



Hardware Needed		
G		x3
L		x6
K		x1

Newport Wardrobe

21



Carefully insert the drawers into the unit by gently guiding the runners into the tracks.

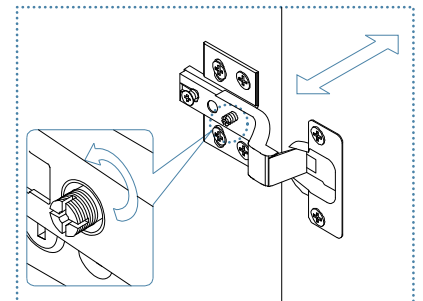
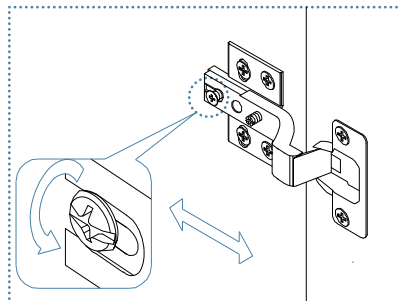
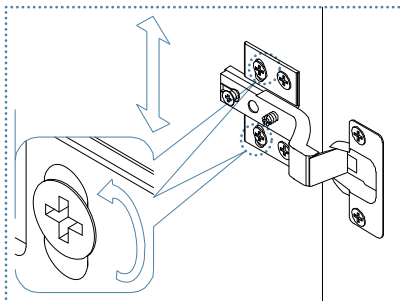
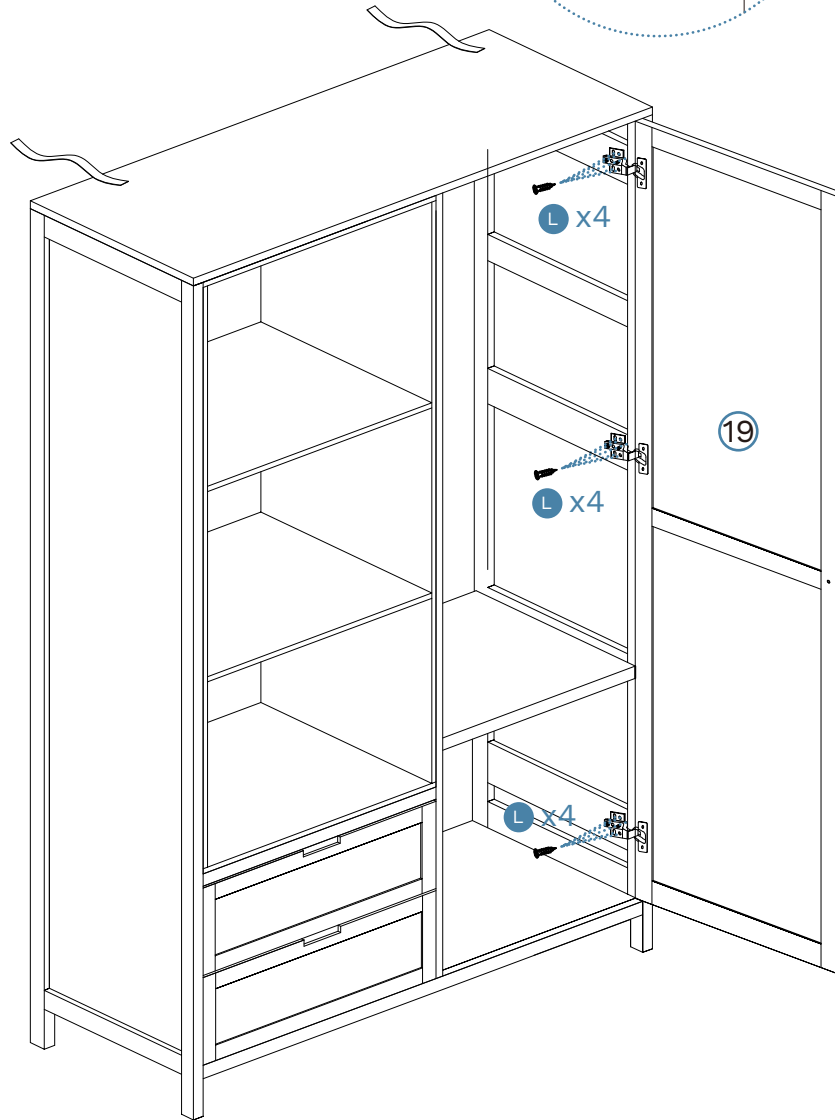
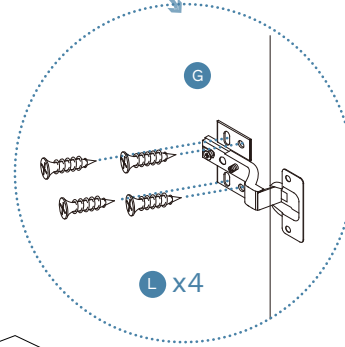
Newport Wardrobe

22

Hardware Needed

L		x12
---	---	-----


NOTE: If the doors are uneven or there is a gap in the middle, loosen or tighten the screw on the hinge until they are sitting flush.

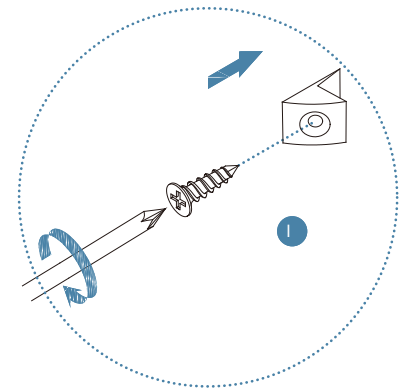
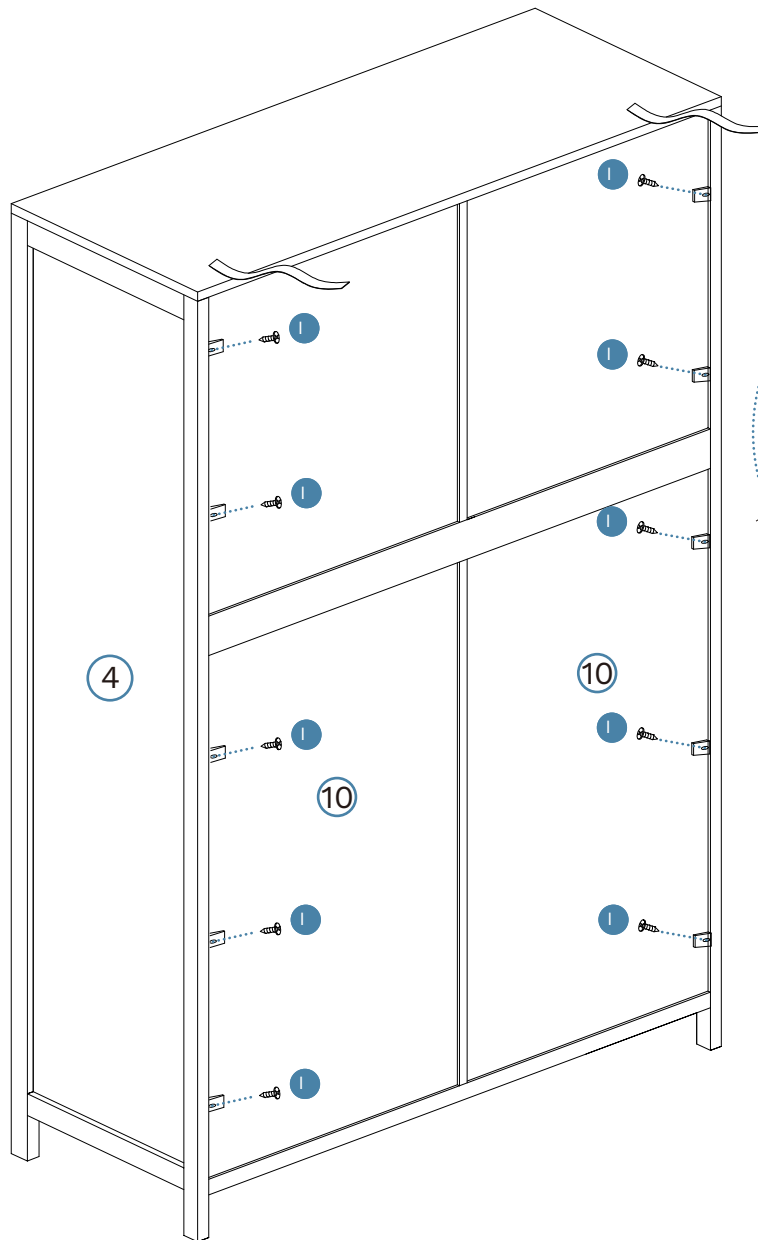


Newport Wardrobe

23




Hardware Needed

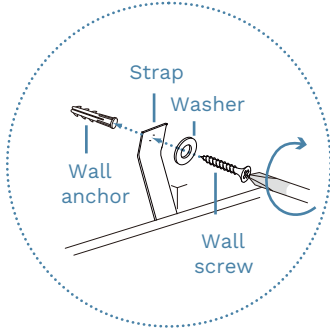
1		x10
---	---	-----



Newport Wardrobe

24

Hardware Needed		
X		x2
V		x2
Z		x2



Note: Seek advice from a qualified trades person on how to attach this safety strap to your specific wall. Once assembled lift furniture into place, do not drag.

